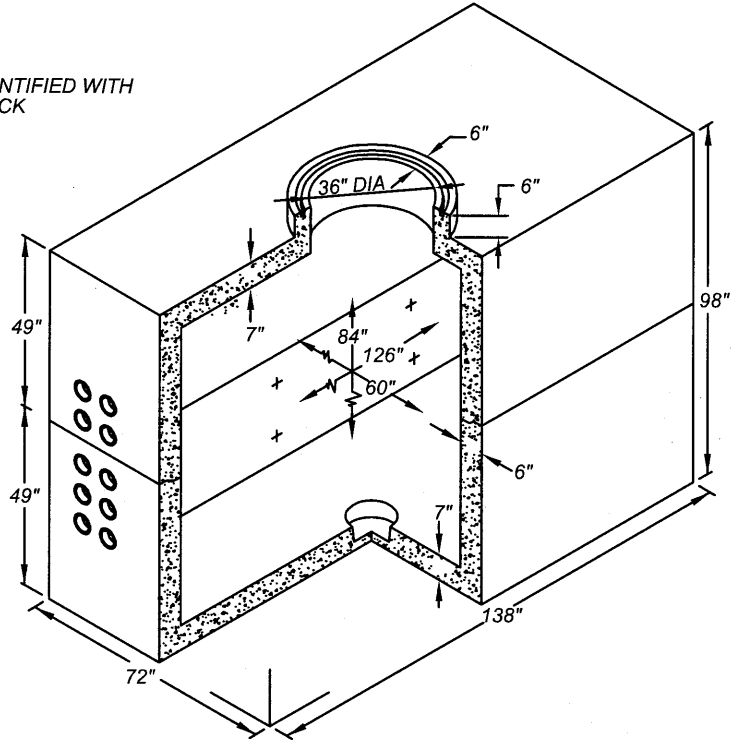


MORENO VALLEY STANDARD No MVEU-728A-0

5' x 10'-6" x 7' MANHOLE

ALL COVERS TO BE IDENTIFIED WITH
"M.V.U." IN 1 1/2" (MIN) BLOCK
RECESSED LETTERS.






MINIMUM EXCAVATION SIZE:
7'-10" x 12'-10" x DEPTH REQUIRED.

NOTES:

1. MANHOLE DESIGNED IN ACCORDANCE WITH AASHTO H-20-44 TRAFFIC BRIDGE LOADING USING 5,500 PSI CONCRETE COMPRESSIVE STRENGTH AND 60,000 PSI YIELD STRENGTH ASTM A-706 STEEL REINFORCEMENT.
2. MANHOLE TO BE PLACED ON A MIN 6" CRUSHER RUN FOR EASE OF INSTALLATION AND EVEN LOAD DISTRIBUTION.
3. LIMIT OF COVER OVER TOP SECTION IS 1'-6" TO 4'-0".
4. 13" DIA x 12" DIA SUMP x 4 1/2" DEEP WITH COVER, LOCATE AS FOLLOWS: BOTTOM OF SECTION (1) CORE MTD.
5. INSIDE WALL AND CEILING TO BE PAINTED WHITE.
6. TAMP EXCAVATION FLOOR.
7. ADJUST TO GRADE WITH GRADE RINGS.
8. PRIMARY GROUND HALO TO BE #4 /O BC AND ATTACHED TO ALL GROUND INSERTS.

NOT TO SCALE

	RECOMMENDED:  12-27-16 DIVISION MANAGER DATE	CITY OF MORENO VALLEY PUBLIC WORKS DEPARTMENT - ELECTRIC UTILITY DIVISION	
	APPROVED:  1/20/17 PUBLIC WORKS DIRECTOR / DATE CITY ENGINEER		

MANHOLE
5' x 10'-6" x 7'