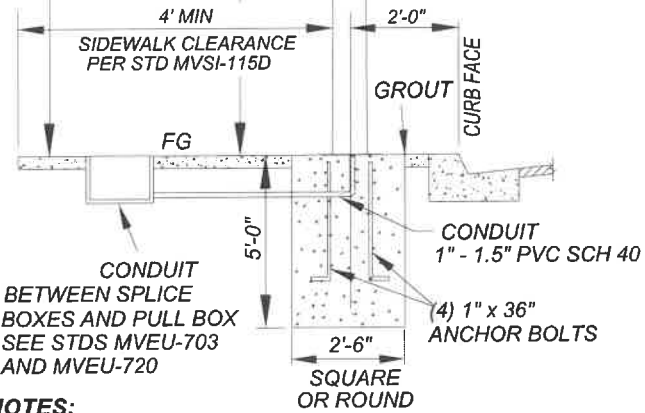
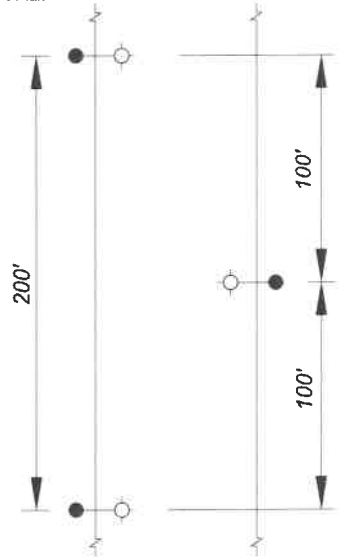


LED (LIGHT EMITTING DIODE) SHALL BE GENERAL ELECTRIC 120/240 V, EVOLVE LED MEDIUM COBRA HEAD WITH AN EVOLVE LIGHT ENGINE CONSISTING OF A NESTED CONCENTRIC AND DIRECTIONAL REFLECTORS, AN IP 65 RATED OPTICAL ENCLOSURE, AND AN INJECTION MOLDED HID ACRYLIC LENS.
 COLOR TEMPERATURE: 4000 K
 LUMENS: 11,500
 WATTS: 98 W
ERLH 0 11 B3 40 A GRAY

POLE NOTES

- 1.) THE POLE TYPE SHALL BE MARBELITE, AMERON CBO SERIES OR APPROVED EQUIVALENT.
- 2.) IT SHALL BE OCTAGONAL IN SHAPE, SYMMETRICALLY TAPERED, MADE OF PRECAST/PRESTRESSED CONCRETE, AND NATURAL GRAY IN COLOR WITH BLACK AND WHITE AGGREGATE WITH ANTI-GRAFFITI SURFACE.
- 3.) IT SHALL BE BASE MOUNTED, DIRECT BURIAL IS NOT ALLOWED.
- 4.) SHALL BE PLUMB, MAXIMUM VARIANCE 0.08"/FT.
- 5.) LOCATION (TO POLE CENTER) SHALL BE 2'-0" FROM FACE OF CURB, 5' FROM BCR/ECR, 9' FROM FIRE HYDRANT CENTER, 5' FROM DRIVEWAY EDGE, 5' FROM UTILITY TRANSFORMER AND OTHER OBSTRUCTIONS.
- 6.) BOLT CIRCLE DIAMETER, 12 1/2" AMERON.
- 7.) MATERIALS SHALL BE FROM SAME MANUFACTURER ALONG SAME STREET AND IN THE SAME TRACT.
- 8.) CONDUCTORS SHALL BE TWO No 8 THW WIRES WITHIN THE POLE BETWEEN THE SPLICE POINT AND THE FIXTURE.



NOTES:

- 1.) THE POLE TYPE SHALL BE MARBELITE - AMERON CBO SERIES (AMERON DWG No 1806-077A) OR APPROVED EQUIVALENT.
- 2.) LIGHTING SHALL BE SPACED 200' MAX (±20') OR AS APPROVED BY THE CITY ENGINEER) DISTANCE APART ON EACH SIDE OF THE STREET.
- 3.) THE CITY MAY REQUIRE ADDITIONAL LIGHTING IN AREAS WHERE INCREASED ILLUMINATION IS DETERMINED TO BE NEEDED.
- 4.) ALL CONCRETE SHALL BE 560-C-3250.
- 5.) THIS STANDARD SHALL APPLY TO STREET CLASSIFICATIONS OF INDUSTRIAL COLLECTOR AND ABOVE.
- 6.) FOR IN-FILL CONDITIONS, LIGHTS MAY BE LOCATED TO MATCH EXISTING CONDITIONS.

NOT TO SCALE



RECOMMENDED:
[Signature] 8/12/20
 DIVISION MANAGER DATE
 APPROVED:
[Signature] 8/13/2020
 PUBLIC WORKS DIRECTOR / DATE
 CITY ENGINEER

CITY OF MORENO VALLEY
 PUBLIC WORKS DEPARTMENT - TRANSPORTATION ENGINEERING DIVISION

ARTERIAL HIGHWAY LIGHTING
(WIRELESS EQUIPMENT CAPABLE)

STANDARD PLAN
MVLT-400B-2
 SHEET 2 OF 3