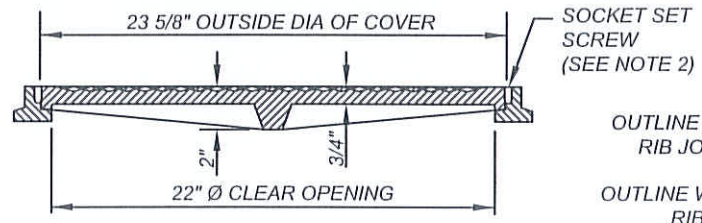
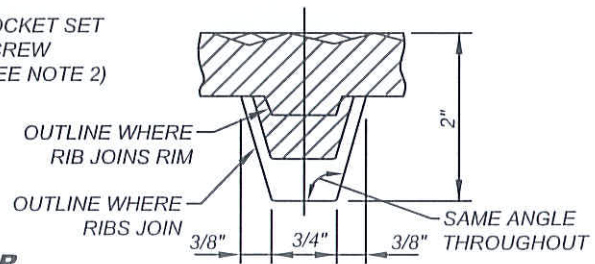


**TOP OF MANHOLE FRAME AND COVER**

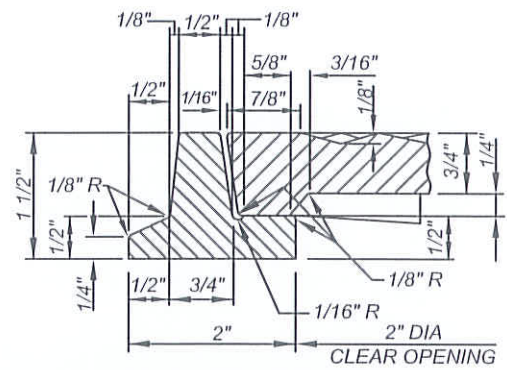
**BOTTOM OF MANHOLE COVER**



**CROSS SECTION THRU FRAME AND COVER**



**CROSS SECTION THRU AT MID RADIUS**

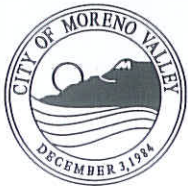




**CROSS SECTION THRU RIM**

**NOTES:**

1. FRAME AND COVER SHALL BE GRAY CAST IRON CONFORMING TO THE LATEST A.S.T.M. STANDARD A48, CLASS 30 OR BETTER, AND GALVANIZED PER A.S.T.M. A385.
2. DRILL AND TAP HOLE AND INSTALL 3/4" x 1 1/4" STAINLESS STEEL SOCKET SET SCREW WITH 3/8" RECESSED HEX HOLE. ALL THREADS TO BE NC.
3. FRAME AND COVER SHALL BE TESTED FOR ACCURACY OF FIT AND SHALL BE MARKED IN SETS BEFORE DELIVERY.
4. TOTAL WEIGHT OF FRAME AND COVER = 130 LBS.

NOT TO SCALE

	RECOMMENDED:  DIVISION MANAGER DATE: 1/21/14	<b>CITY OF MORENO VALLEY</b> PUBLIC WORKS DEPARTMENT - CAPITAL PROJECTS DIVISION		
	APPROVED:  PUBLIC WORKS DIRECTOR / CITY ENGINEER DATE: 1/29/14	<b>CATCH BASIN MANHOLE FRAME AND COVER</b>		STANDARD PLAN <b>MVFE-300E-0</b>
				SHEET 5 OF 6