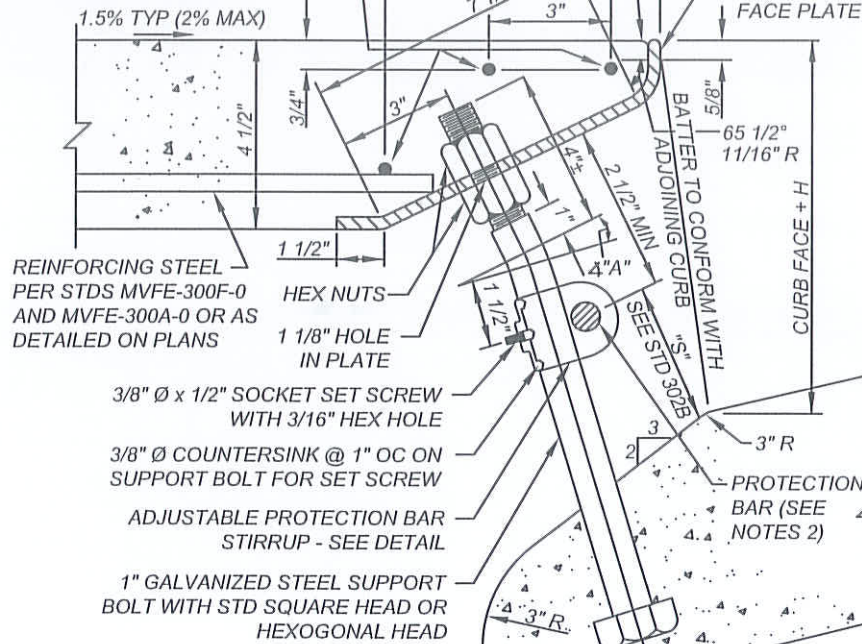


3 - #4 BARS x (W + 6") IN
ADDITION TO REINFORCING
STEEL PER STDS MVFE-300A-0 &
MVFE-300F-0 OR AS DETAILED
ON PLANS



REINFORCING STEEL
PER STDS MVFE-300F-0
AND MVFE-300A-0 OR AS
DETAILED ON PLANS

HEX NUTS
1 1/8" HOLE
IN PLATE

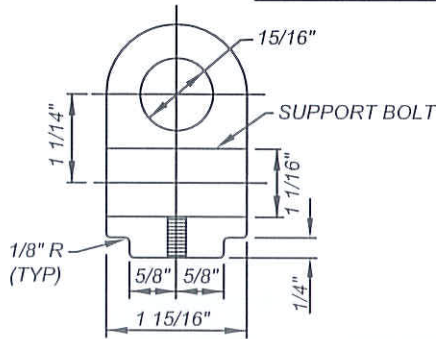
3/8" Ø x 1/2" SOCKET SET SCREW
WITH 3/16" HEX HOLE

3/8" Ø COUNTERSINK @ 1" OC ON
SUPPORT BOLT FOR SET SCREW

ADJUSTABLE PROTECTION BAR
STIRRUP - SEE DETAIL

1" GALVANIZED STEEL SUPPORT
BOLT WITH STD SQUARE HEAD OR
HEXAGONAL HEAD

CATCH BASIN OPENING DETAIL



DRILL AND TAP HOLE
AND INSTALL 3/8" x
1/2" SOCKET SET
SCREW WITH 3/16"
RECESSED HEX HOLE

STIRRUP DETAIL

NOTES:

- 1) SUPPORT BOLT ANGLE "A" SHALL VARY TO CONFORM WITH BATTER OF ADJOINING CURB.
- 2) PROTECTION BAR SHALL BE INSTALLED AND SUPPORT BOLTS SHALL BE SPACED PER STD MVFE-300D-0.
- 3) SUPPORT BOLTS SHALL BE EQUAL LENGTH TO CURB FACE + 6" FOR ALL CURB BATTER.
- 4) ALL EXPOSED METAL PARTS SHALL BE GALVANIZED AFTER FABRICATION.

NOT TO SCALE



RECOMMENDED:
[Signature] 1/21/14
DIVISION MANAGER DATE
APPROVED:
[Signature] 1/29/14
PUBLIC WORKS DIRECTOR/ DATE
CITY ENGINEER

CITY OF MORENO VALLEY
PUBLIC WORKS DEPARTMENT - CAPITAL PROJECTS DIVISION

**CATCH BASIN OPENING
DETAIL**

STANDARD PLAN
MVFE-300C-0

SHEET 3 OF 6