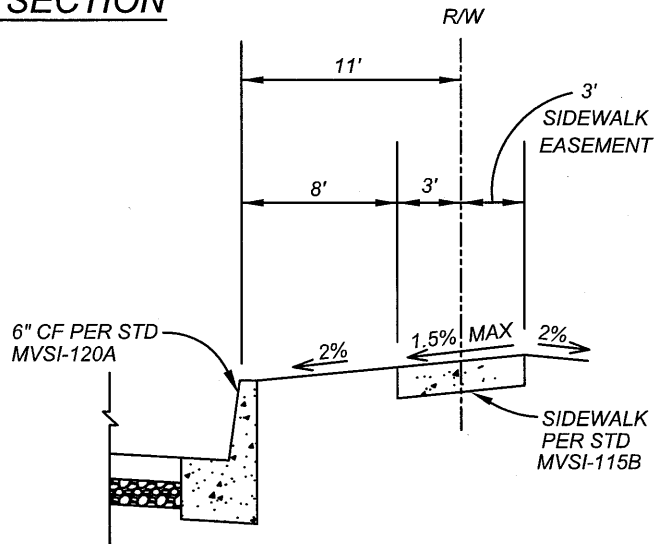


TYPICAL SECTION



ALTERNATE SECTION

NOTES:

- 1.) THICKNESS OF PAVEMENT SECTION TO BE DETERMINED BY R VALUE TESTING PER CALTRANS DESIGN METHOD TEST 301 WITH RECOMMENDED SAFETY FACTOR, MINIMUM 0.30' AC / 0.50' CAB. AC SHALL BE PLACED IN LIFTS, AND THICKNESS OF EACH LIFT SHALL NOT EXCEED 3".
- 2.) MINIMUM T.I. = 7.
- 3.) HALF WIDTH STREETS SHALL BE CONSTRUCTED TO A WIDTH OF 1/2 STREET WIDTH PLUS 12'.

NOT TO SCALE



RECOMMENDED:
EL 8/29/18
 DIVISION MANAGER DATE
 APPROVED:
M. Z. Wolfe 9/14/18
 PUBLIC WORKS DIRECTOR / DATE
 CITY ENGINEER

CITY OF MORENO VALLEY

PUBLIC WORKS DEPARTMENT - TRANSPORTATION ENGINEERING DIVISION

COLLECTOR

STANDARD PLAN
MVSI-106B-0

SHEET 2 OF 2