

APPLICATION FOR KNOX BOX #3261. MOUNT TO 1/4" STEEL PLATE 3/4" HEIGHT OF GATES

SS BALL BEARING HINGE 4"x4"x3/8" NRP (3 PER GATE)

FRAME 2"x2"x0.120" SQ MITER & WELD CORNERS

PICKETS 3/4"x3/4"x0.083" SQ EQUAL SPACE NTE 4" BETWEEN PICKETS. WELD TO GATE FRAME

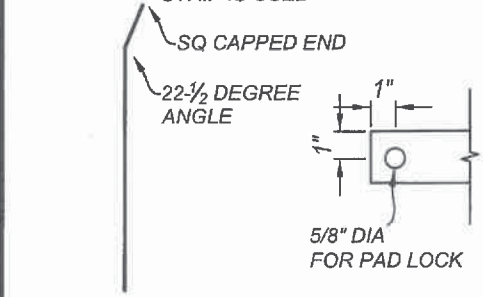
FOOTINGS PER ENGINEERS DESIGN

2" OR HEIGHT CAN BE INCREASED TO 4" IF A MOW STRIP IS USED

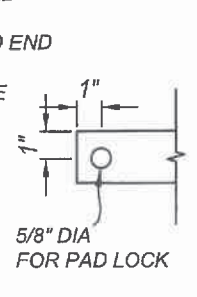
6" DRIVEWAY MIN

(2) CAN & BOLT SET IN CONC TO LOCK BOTTOM OF GATE

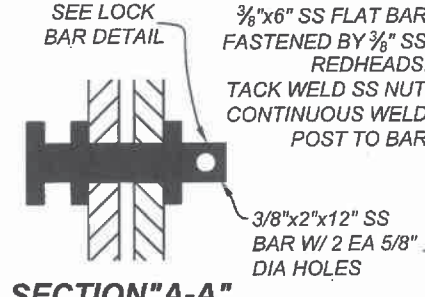
GATE POST WILL FASTEN TO BLOCK COLUMN VIA THIS DETAIL



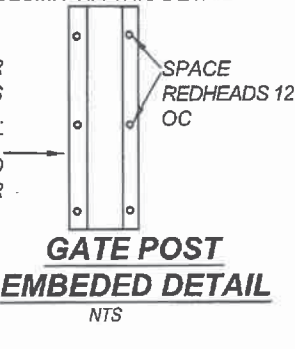
**PICKET ANGLE DETAIL**



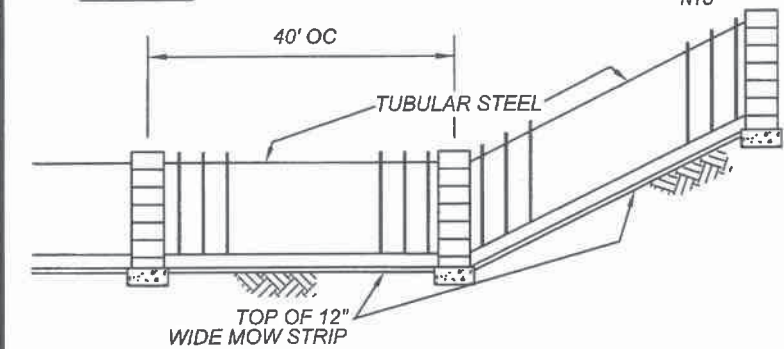
**LOCK BAR**  
NTS



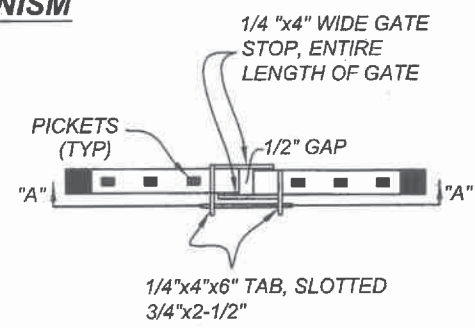
**SECTION "A-A" LOCKING MECHANISM**  
NTS



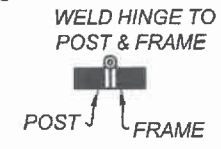
**GATE POST EMBEDDED DETAIL**  
NTS



**ALTERNATE PLAN VIEW**  
NTS



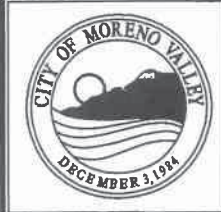
**TOP VIEW OF GATE**  
NTS



**HINGE DETAIL**  
NTS NOT TO SCALE

**NOTES:**

- 1.) ALL METAL IS TO BE STEEL AS INDICATED AND HOT DIPPED GALVANIZED.
- 2.) FINISH SHALL BE EPOXY PRIMER POLYURETHANE PAINT. COLOR PER SPECIFICATION.
- 3.) MOW STRIPE SHALL BE A MINIMUM 6" WIDE BY 6" THICK WITH ONE #4 REBAR.



RECOMMENDED: *[Signature]* *[Date]*  
 DIVISION MANAGER DATE

APPROVED: *[Signature]* *[Date]*  
 PUBLIC WORKS DIRECTOR / DATE  
 CITY ENGINEER

**CITY OF MORENO VALLEY**  
 PARKS AND COMMUNITY SERVICES DEPARTMENT

**MODIFIED EXTENDED  
 DETENTION BASIN FENCE  
 AND GATE DETAIL GUIDE**

STANDARD PLAN  
**MVGF-644-0**  
 SHEET 1 OF 1