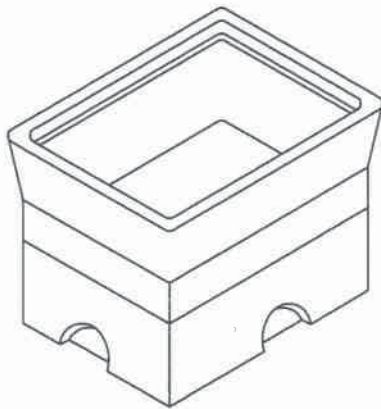
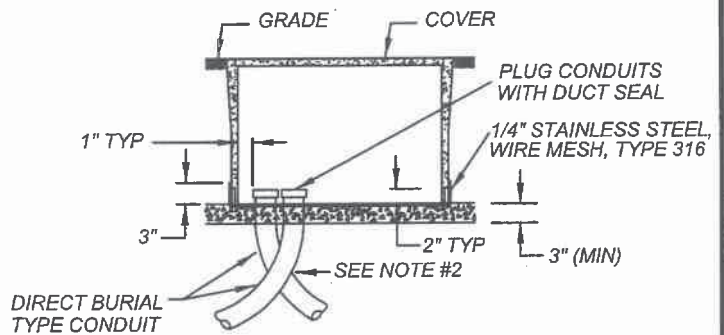


ALL COVERS TO BE IDENTIFIED WITH RECESSED LETTERS.

TYPICAL COVER
COMPOSITE WITH POLYPROPYLENE

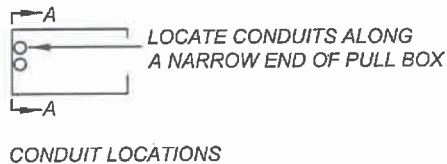


TYPICAL ASSEMBLY WITHOUT COVER
(CONCRETE)



SECTION A-A

ALL CONDUITS



NOTES:

- 1.) RADIUS ANGLE MAY BE REDUCED TO LESS THAN 90° PROVIDING THE PROJECTED CENTER LINE OF THE CONDUIT CLEARS HANDHOLE OPENING.
- 2.) TWO HOLD DOWN DEVICES TO BE SUPPLIED WITH EACH HANDHOLE.
- 3.) ELECTRICAL CONDUITS SHALL BE TAPE WRAPPED SCH. 40 GALVANIZED CONDUIT.

NOT TO SCALE



RECOMMENDED: *[Signature]* 6/20/19
DIVISION MANAGER DATE
APPROVED: *[Signature]* 7/30/19
PUBLIC WORKS DIRECTOR / DATE
CITY ENGINEER

CITY OF MORENO VALLEY
PARKS AND COMMUNITY SERVICES DEPARTMENT

**ELECTRICAL PULL BOX
FOR PARKS**

STANDARD PLAN
MVGF-618A-0
SHEET 1 OF 2