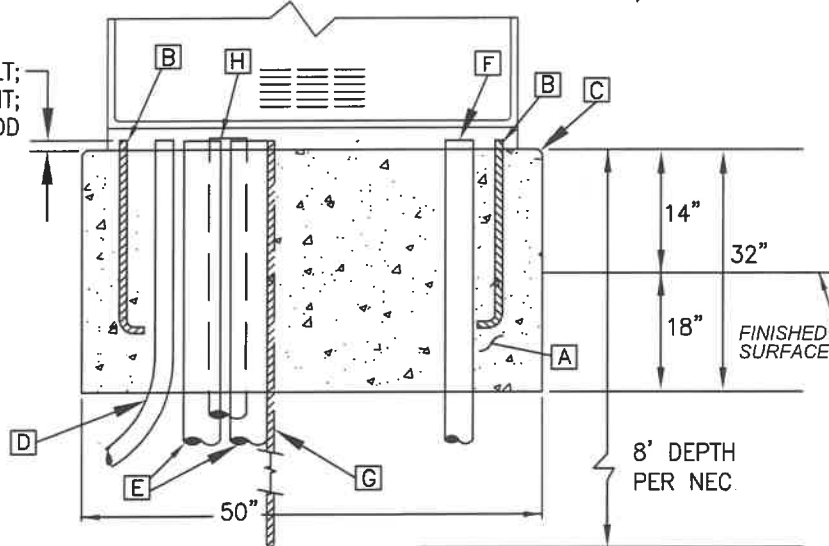


1.5"-2", ANCHOR BOLT;  
2"-4", CONDUIT;  
6", GROUND ROD



**CONSTRUCTION NOTES:**

- A 560-C-3250 PORTLAND CEMENT CONCRETE FOUNDATION
- B 3/4" x 18" GALVANIZED ANCHOR BOLTS (ASTM A307)
- C 3/8" CHAMFER TYPICAL
- D 2" SERVICE CONDUIT TO SERVICE ENCLOSURE
- E 4" SIGNAL CONDUCTOR CONDUITS TO ADJACENT PULL BOX
- F 2" CONDUIT FOR SIGNAL INTERCONNECT, PHONE OR FUTURE FIBER-OPTIC COMMUNICATION CABLE
- G GROUND ROD, 8 FT MIN INTO EARTH, EXCLUDING CONCRETE (APPROXIMATELY 10.5 FT ROD)
- H 3" CONDUIT FOR FUTURE CONDUCTORS

**GENERAL NOTES:**

1. INSTALL IN ACCORDANCE WITH CALTRANS STD PLAN ES-3C (NOTES 3, 7, AND 17 OF ES-4B MAY NOT APPLY).
2. FINAL LOCATION OF CONDUITS SHALL BE APPROVED PRIOR TO FOUNDATION POUR.
3. ALL CONDUITS IN CONTROLLER FOUNDATION SHALL BE SCHEDULE 80 PVC.
4. THE FOUNDATION SHALL BE CONSTRUCTED USING A STEEL FORM. THE CONCRETE SHALL BE VIBRATED. THE OUTSIDE EXPOSED FINISH SURFACE SHALL BE FREE OF VOIDS/HOLES AND SHALL BE TO THE SATISFACTION OF THE ENGINEER.

NOT TO SCALE



RECOMMENDED:

EL

7/3/19  
DATE

DIVISION MANAGER

APPROVED:

M.L. W... 7/30/19  
PUBLIC WORKS DIRECTOR / DATE  
CITY ENGINEER

**CITY OF MORENO VALLEY**

PUBLIC WORKS DEPARTMENT - TRANSPORTATION ENGINEERING DIVISION

**TYPE 333  
CONTROLLER CABINET  
FOUNDATION DETAIL**

STANDARD PLAN

**MVLT-460-0**

SHEET 1 OF 1