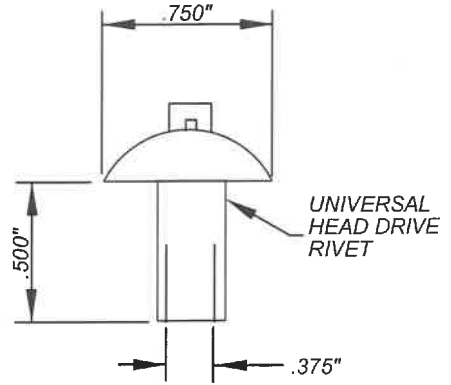


RIVET LOCATIONS
(SEE NOTE 6 ON
STD No MVL-414B-0)

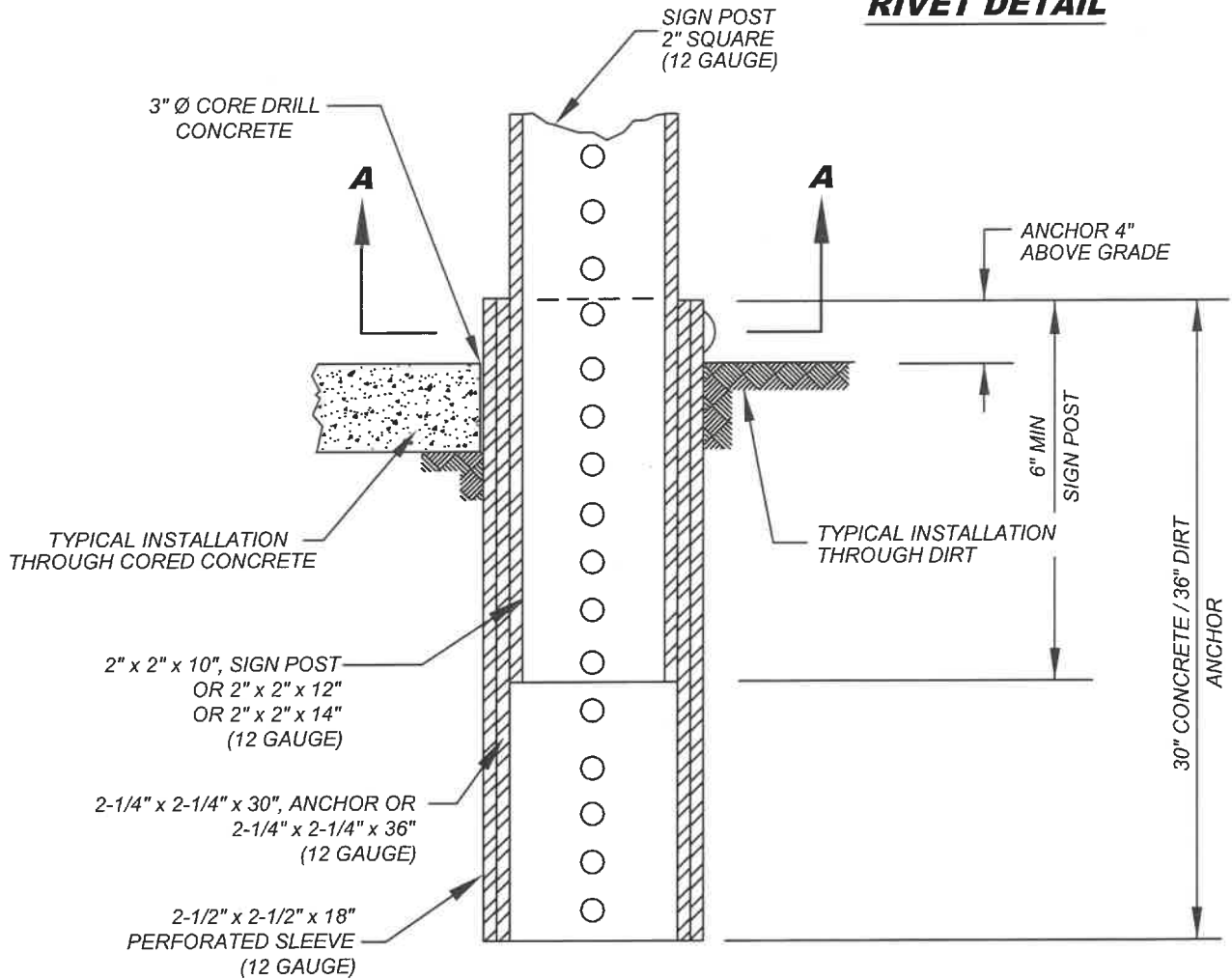
DIRECTION OF
TRAFFIC FLOW

STREET
SIDE
OF
POST

SECTION "A-A"



RIVET DETAIL



TYPICAL SECTION

NOT TO SCALE



RECOMMENDED:

EL

DIVISION MANAGER

5/14/19

DATE

APPROVED:

MJ. Wolfe

6/4/19

PUBLIC WORKS DIRECTOR / DATE
CITY ENGINEER

CITY OF MORENO VALLEY

PUBLIC WORKS DEPARTMENT - TRANSPORTATION ENGINEERING DIVISION

SIGN POST INSTALLATION

STANDARD PLAN

MVLT-414A-0

SHEET 1 OF 3